

ADAPTER

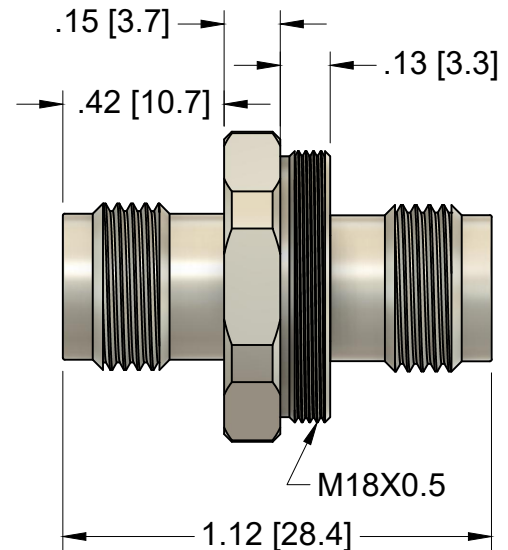
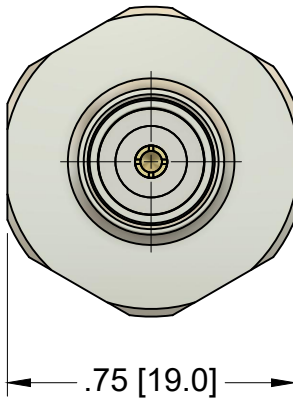
TNC-FEMALE TO TNC-FEMALE, DC-8000 MHz

MODEL RFATT01



ELECTRICAL

FREQUENCY (MHz):	DC - 8000
IMPEDANCE:	50 Ω
INSERTION LOSS (dB):	
DC-3000 MHz	≤ 0.1
3000-6000 MHz	≤ 0.3
6000-8000 MHz	≤ 0.4
VSWR:	
DC-3000 MHz	$\leq 1.15:1$
3000-8000 MHz	$\leq 1.25:1$



MECHANICAL

CONNECTOR BODY:	BRASS, TRI-ALLOY PLATE
CONTACT PINS:	BERYLLIUM COPPER, GOLD PLATE
INSULATOR:	PTFE, ELECTRICAL GRADE
WEIGHT:	21 GRAMS
DURABILITY:	≥ 500 MATING CYCLES

DIMENSIONS: INCH [MM]

AdvancedRf adapters were designed to provide ultimate flexibility when combined with Advanced RF 19" 1U-5U rack panels. Easily install as few or as many as you need of our N, SMA, QMA, TNC or BNC adapters, in any combination. Choose from a selection of pre-configured patch panels or contact a sales team member to customize a panel for your application. Better yet, combine your patch panel requirements and Advanced RF splitters into the same rack panel for unlimited configuration options! Call us today or order online.

AdvancedRf