

RACK PANEL

MODEL 3U0064

3U, 64 HOLE

FEATURES

- INSTALL IN STD 19" EIA RACKS
- INSTALL ANY **ADVANCED RF** SPLITTER/COMBINER
- CNC MACHINED ALUMINUM
- RoHS COMPLIANT

BENEFITS

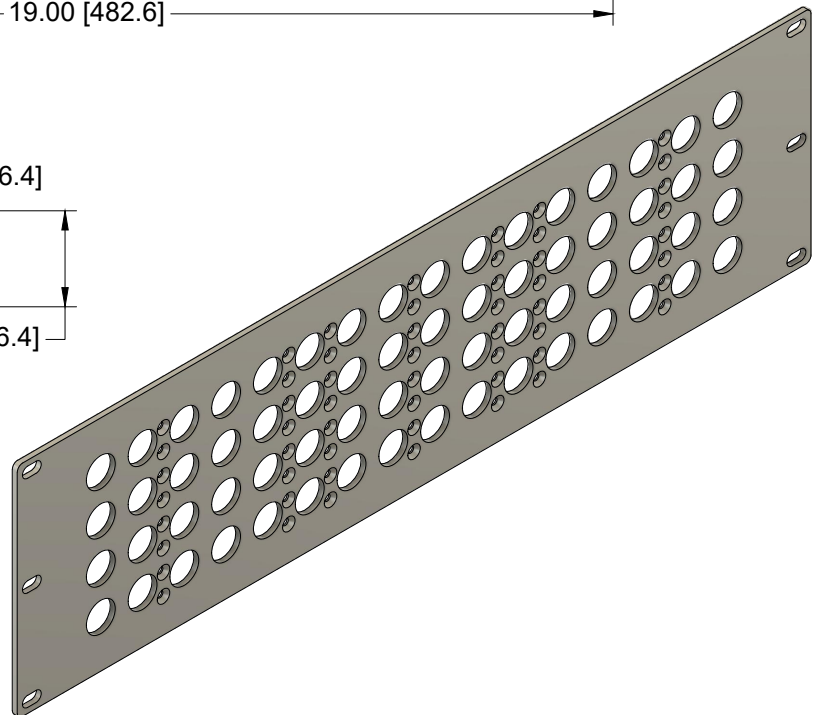
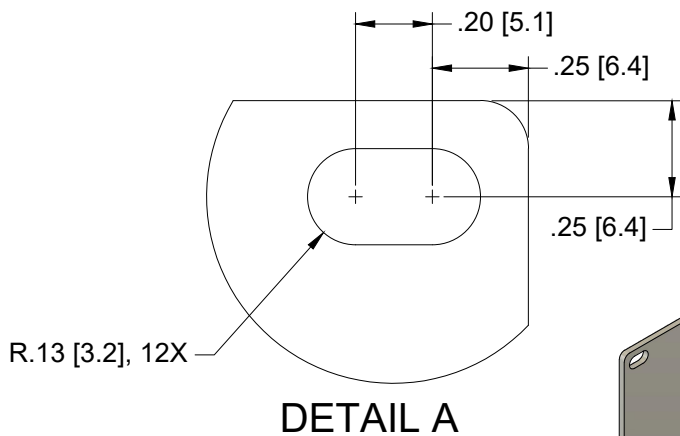
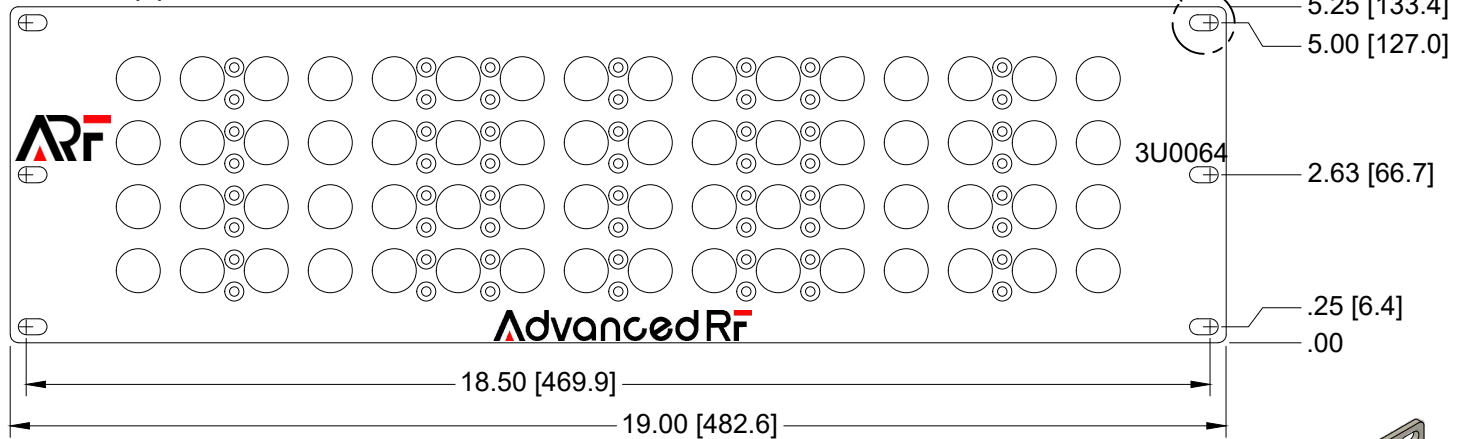
- COMBINE MODELS AND SAVE SPACE
- USE EXTRA HOLES FOR CABLES - .625 [15.9] MAX DIA
- CONFIGURE FOR YOUR APPLICATION
- INTEGRATE ADDITIONAL HARDWARE

MATERIAL: .12 [3.0] THICK ALUMINUM

FINISH: CLEAR CHEMICAL FILM, RoHS COMPLIANT

WEIGHT: 380 GRAMS

DIMENSIONS: INCH [MM]
TOLERANCE: ±.01 [.25]



APPLICATION NOTES:

1. RACK INSTALLATION HARDWARE NOT PROVIDED.
2. 12-WAY MODELS CAN ONLY BE CENTERED IN EACH ROW.
3. 2,3 AND 4-WAY MODELS CAN BE ORIENTED EITHER VERTICALLY OR HORIZONTALLY.

AdvancedRf rack panel 3U0064 accommodates all **ADVANCED RF** 2-way thru 16-way power splitter/combiner models, in any combination, with the added benefit of enabling 2,3 and 4-way splitters/combiners to be installed in the vertical or horizontal position. This benefit provides flexible configuration options, improves component organization and accommodates future expansion plans. Precision machined from lightweight aluminum, rack panel 3U0064 easily installs in a standard 19" EIA rack cabinet. Unused openings in the rack panel can also be used for cable feed-thru (.625" [15.8mm] max dia). Get your **ADVANCED RF** splitters/combiners installed direct from the factory at no extra charge. RoHS compliant. Call 984-409-0029 today regarding your application.

AdvancedRf

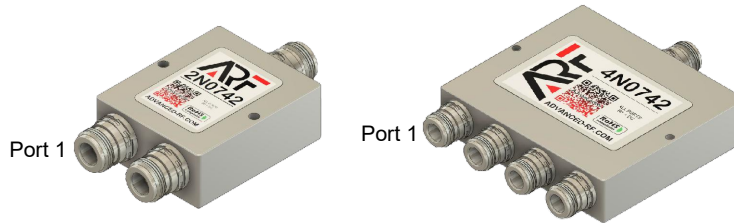
CONFIGURATION WORKSHEET

LAYOUT ANY COMBINATION OF **ADVANCED RF SPLITTERS/COMBINERS**

A. Select your **ADVANCED RF** splitter/combiner model(s).

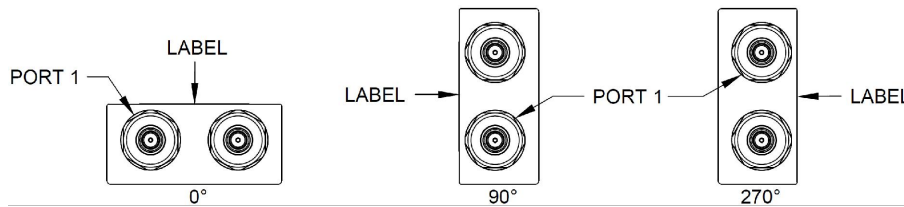
Example: 2N0742 and 4N0742

B. Identify output **port 1**

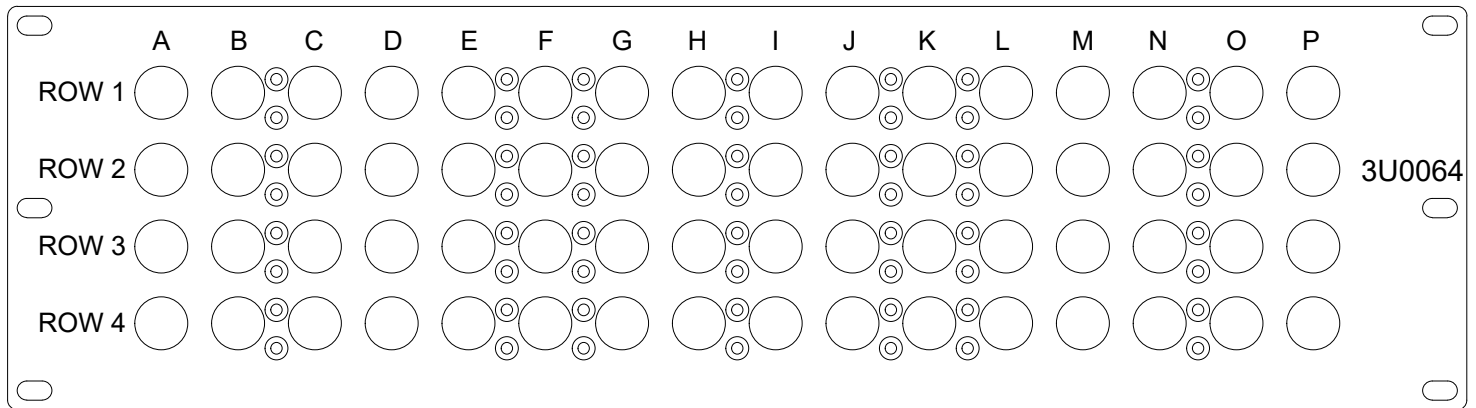


C. Specify location (model #, *RC,P) of output **port 1** in rack panel 3U0064.

Example: 2N0742, 1A,0 (Model 2N0742, located in spaces 1A and 1B)
 2N0742, 3E,270 (Model 2N0742, located in spaces 3E and 4E)
 4N0742, 4P,90 (Model 4N0742, located in spaces 4P-1P)



DEFINED SPLITTER/COMBINER ROTATIONAL POSITIONS RELATIVE TO OUTPUT **PORT 1**



NOTES:

1. DEFAULT 0° POSITION IS LEFT TO RIGHT, WITH LABEL FACING UP.
2. 12-WAY MODELS ARE CENTERED IN THE ROW, SPECIFY ROW # ONLY.
3. 16-WAY MODELS ARE ONE PER ROW, SPECIFY ROW # ONLY.
4. 3D IMAGE OF CONFIGURED RACK PANEL 3U0064, INCLUDING SPLITTERS, AVAILABLE ON REQUEST. CONTACT SALES.

	MODEL #	*RC,P		MODEL #	*RC,P		MODEL #	*RC,P
1			5			9		
2			6			10		
3			7			11		
4			8			12**		

**RACK PANEL IS NOT LIMITED TO 12 SPLITTERS/COMBINERS

*R=ROW # C=COLUMN (A-P) P=0,90,270



CONFIGURATION WORKSHEET

LAYOUT ANY COMBINATION OF **ADVANCED RF** SPLITTERS/COMBINERS

CONFIGURATION TABLE (CONTINUED)

	MODEL #	*RC,P		MODEL #	*RC,P		MODEL #	*RC,P
13			20			27		
14			21			28		
15			22			29		
16			23			30		
17			24			31		
18			25			32		
19			26			33		

*R=ROW # C=COLUMN (A-P) P=0,90,270

